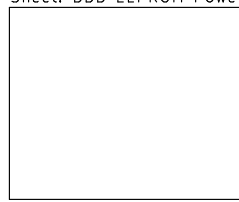


Sheet: BBB EEPROM Power Etc



File: BBB-Conn.sch

Sheet: P8 Connector



File: BBB-P8-Conn.sch

Sheet: P9 Connector



File: BBB-P9-Conn.sch

FIDUCIAL
FIDUCIAL



LandBoards_Markings:TEST_BLK-REAR
COUPON

<http://land-boards.com/blwiki/index.php?title=BBB-COMMS-2>

LAND BOARDS LLC

Sheet: /
File: BBB-COMMS-2.sch

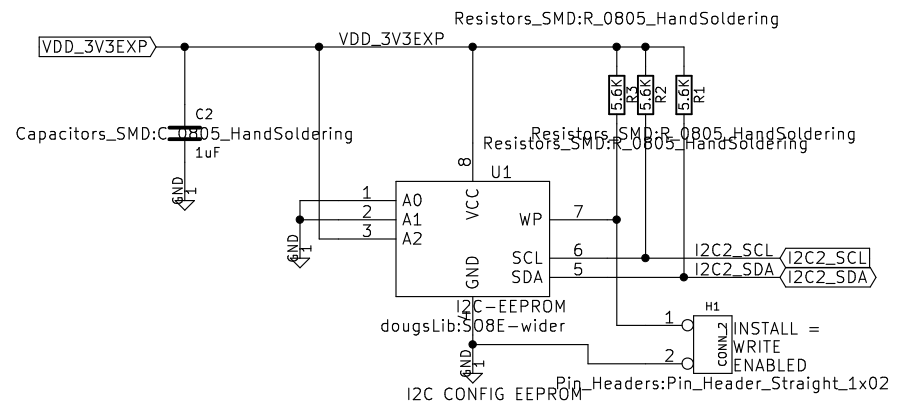
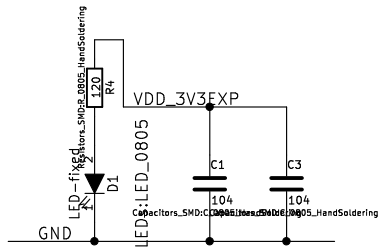
Title: BBB-COMMS-2

Size: A Date: 2022-04-07

KiCad E.D.A. kicad (5.1.10)-1

Rev: X1

Id: 1/4



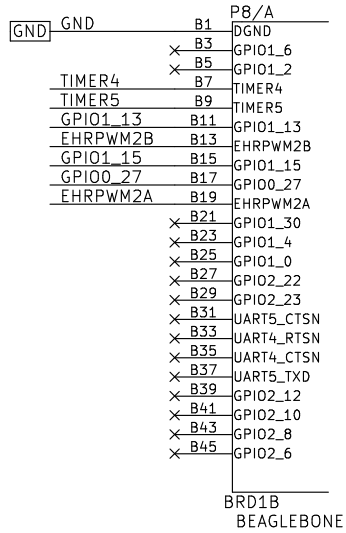
<https://github.com/dougilliland/>
Doug Gilliland <doug@douglasgilliland.com>

Sheet: /BBB EEPROM Power Etc/
 File: BBB-Conn.sch

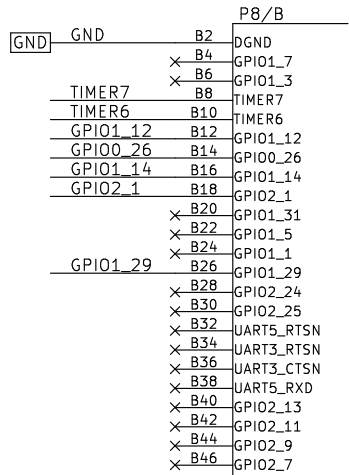
Title: BeagleBone Cape Baseline

Size: A | Date: 24 feb 2015
 KiCad E.D.A. kicad (5.1.10)-1

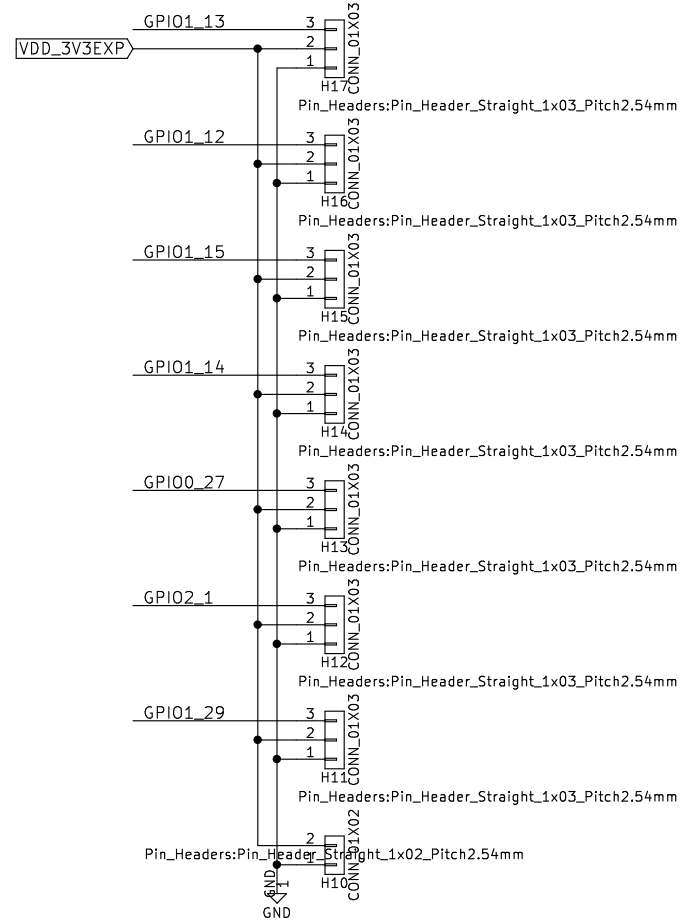
Rev: X4
 Id: 2/4



dougsLib:BEAGLEBONE



dougsLib:BEAGLEBONE



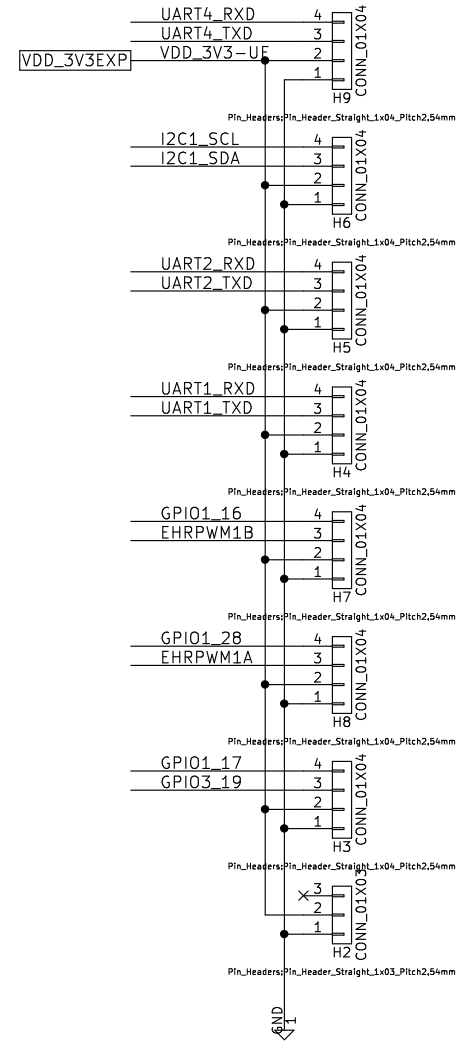
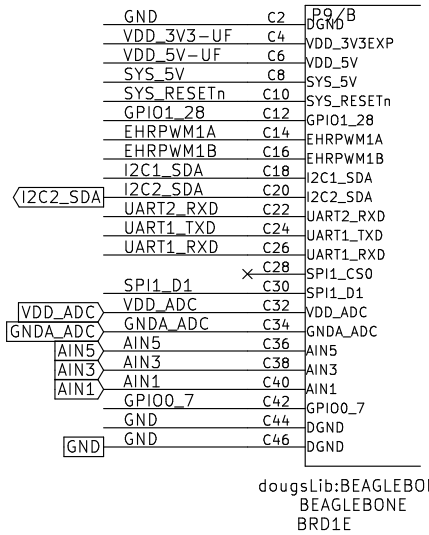
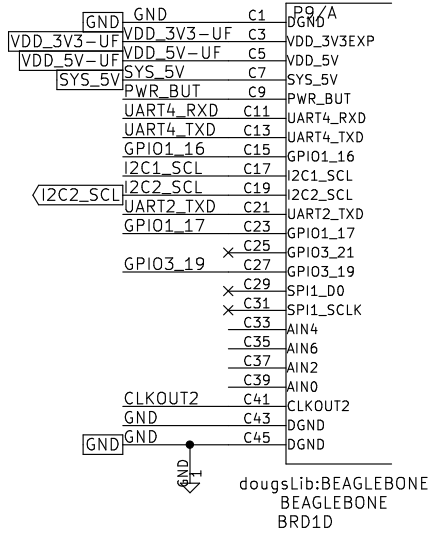
<https://github.com/dougkillingland/>
Doug Gilliland <doug@douglasgilliland.com>

Sheet: //P8 Connector/
 File: BBB-P8-Conn.sch

Title: BeagleBone Cape Baseline

Size: A Date: 24 feb 2015
 KiCad E.D.A. kicad (5.1.10)-1

Rev: X4
 Id: 3/4



<https://github.com/douggilliland/>
Doug Gilliland <doug@douglasgilliland.com>

Sheet: /P9 Connector/
 File: BBB-P9-Conn.sch

Title: BeagleBone Cape Baseline

Size: A | Date: 24 feb 2015
 KiCad E.D.A. kicad (5.1.10)-1

Rev: X4
 Id: 4/4