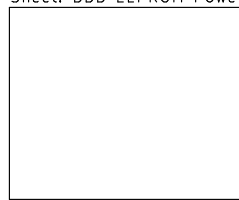
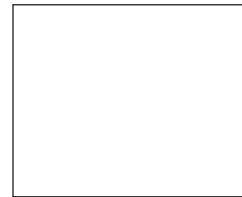


Sheet: BBB EEPROM Power Etc



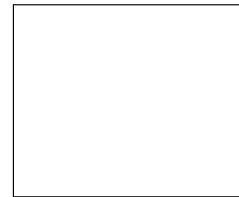
File: BBB-Conn.sch

Sheet: P8 Connector



File: BBB-P8-Conn.sch

Sheet: P9 Connector



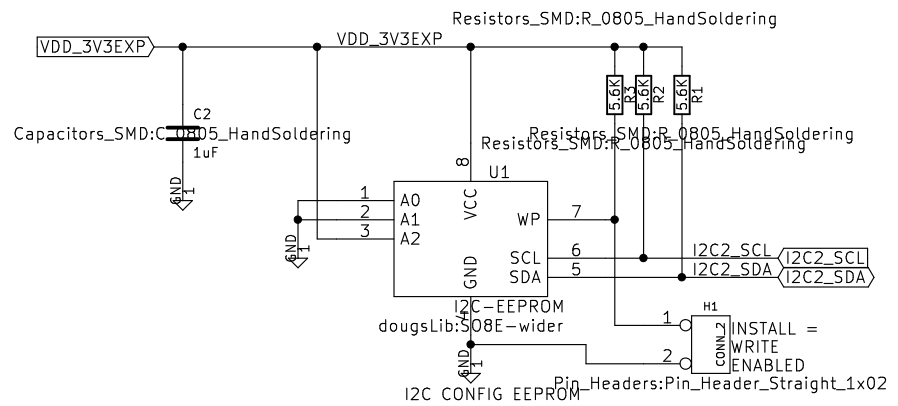
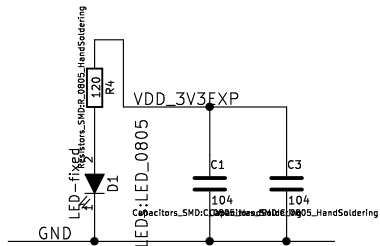
File: BBB-P9-Conn.sch

FIDUCIAL
FIDUCIAL



LandBoards_Markings:TEST_BLK-REAR
COUPON

http://land-boards.com/blwiki/index.php?title=BBB-COMMS-2	
LAND BOARDS LLC	
Sheet: /	
File: BBB-COMMS-2.sch	
Title: BBB-COMMS-2	
Size: A	Date: 2022-04-07
KiCad E.D.A. kicad (5.1.10)-1	Rev: X3
	Id: 1/4



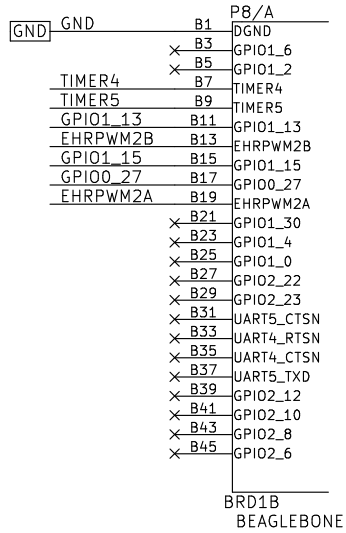
<https://github.com/dougkhilland/>
Doug Gilliland <doug@douglasgilliland.com>

Sheet: /BBB EEPROM Power Etc/
 File: BBB-Conn.sch

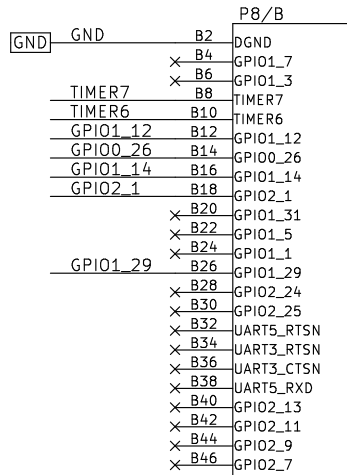
Title: BeagleBone Cape Baseline

Size: A | Date: 24 feb 2015
 KiCad E.D.A. kicad (5.1.10)-1

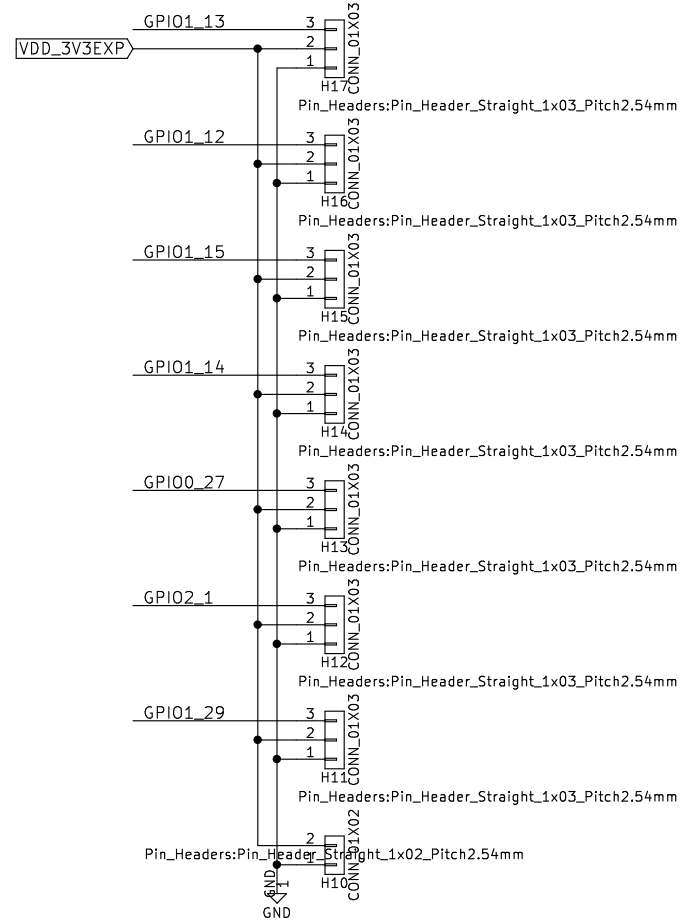
Rev: X4
 Id: 2/4



dougsLib:BEAGLEBONE



dougsLib:BEAGLEBONE



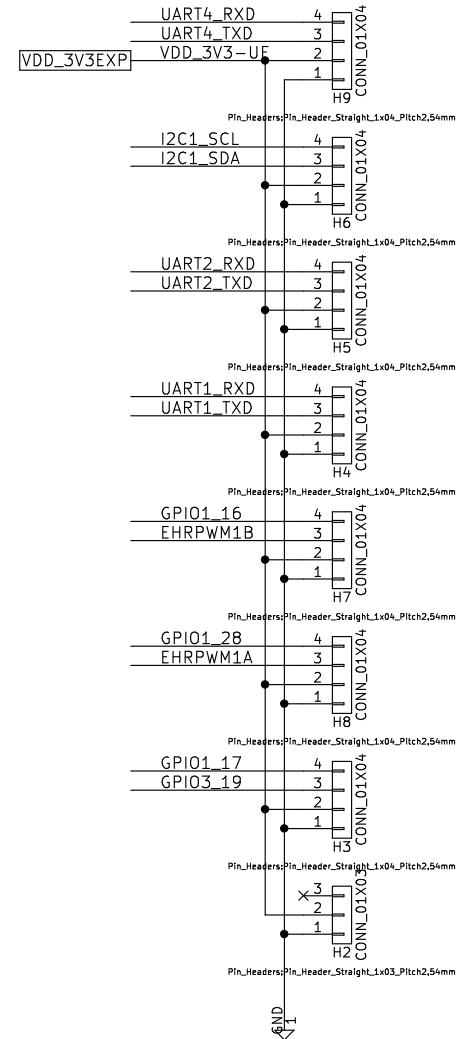
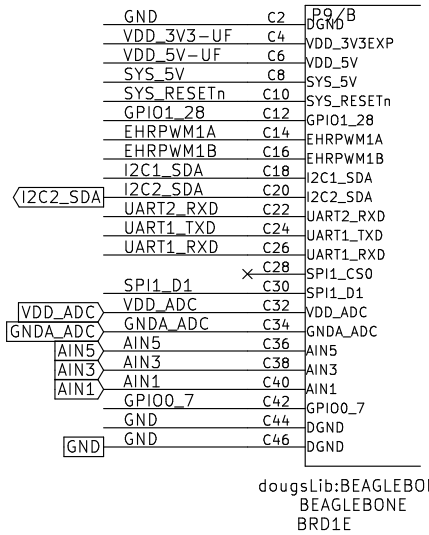
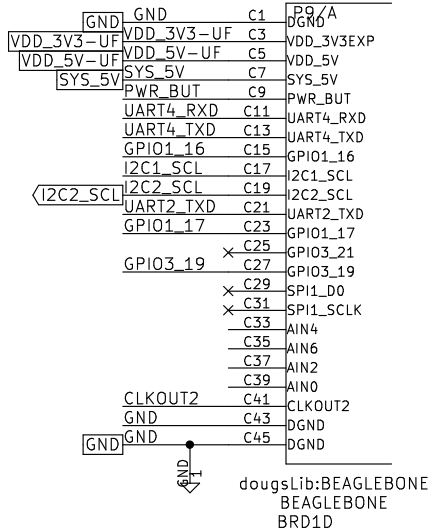
<https://github.com/dougkilliland/>
Doug Gilliland <doug@douglasgilliland.com>

Sheet: //P8 Connector/
 File: BBB-P8-Conn.sch

Title: BeagleBone Cape Baseline

Size: A Date: 24 feb 2015
 KiCad E.D.A. kicad (5.1.10)-1

Rev: X4
 Id: 3/4



<https://github.com/dougilliland/>
Doug Gilliland <doug@douglasgilliland.com>

Sheet: /P9 Connector/
 File: BBB-P9-Conn.sch

Title: BeagleBone Cape Baseline

Size: A Date: 24 feb 2015
 KiCad E.D.A. kicad (5.1.10)-1

Rev: X4
 Id: 4/4