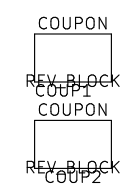
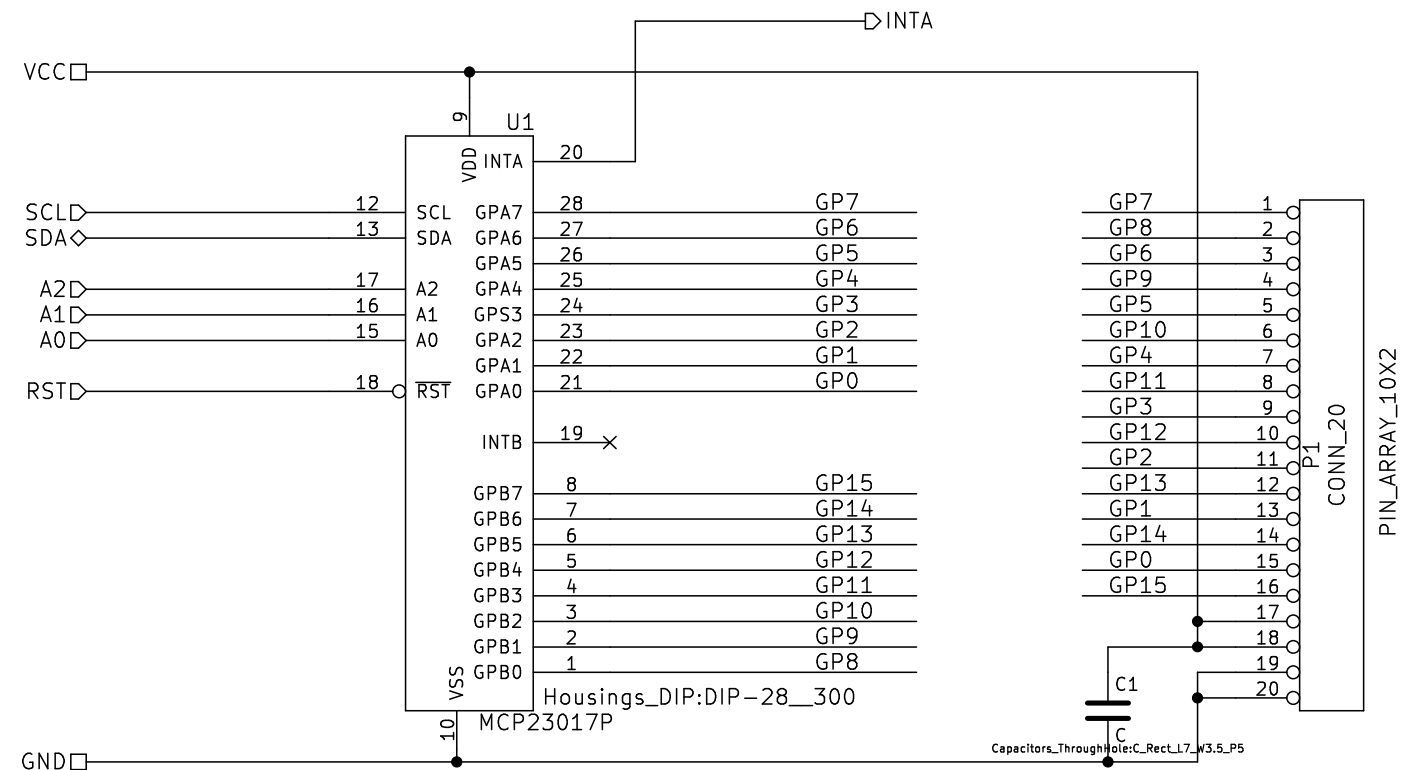
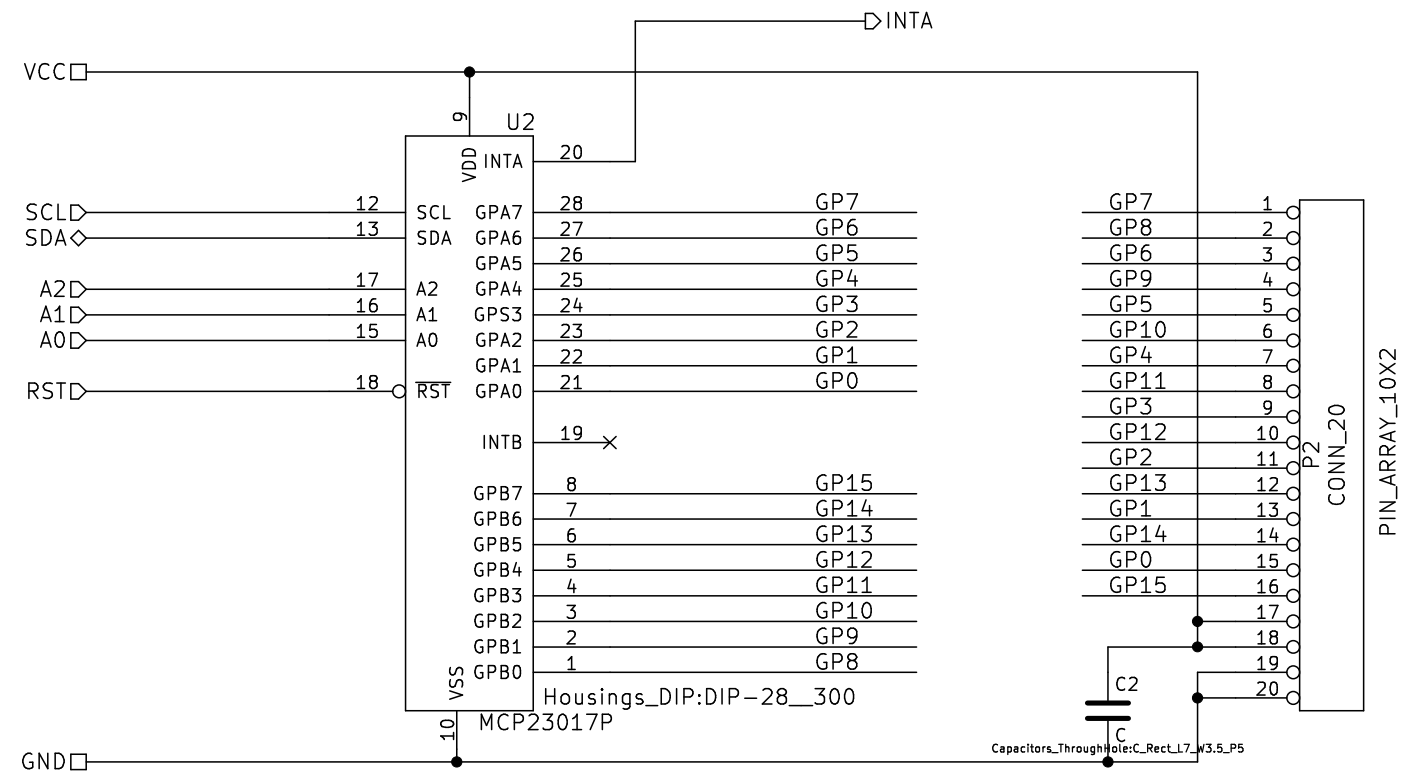


MTG1 MTG3
MTG_HOLE MTG_HOLE
MTG2 MTG4
MTG_HOLE MTG_HOLE







Sheet: /16-bits-2/		Date: 11 apr 2015	
File: DIGIO-128-1.sch		Rev: 3/9	
Title:		KiCad E.D.A. kicad (after 2015-mar-04 BZR unknown)-product	

