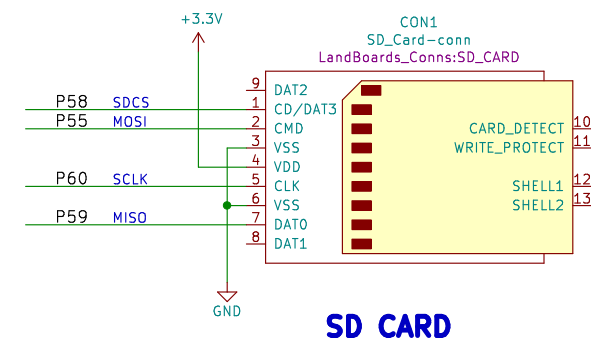
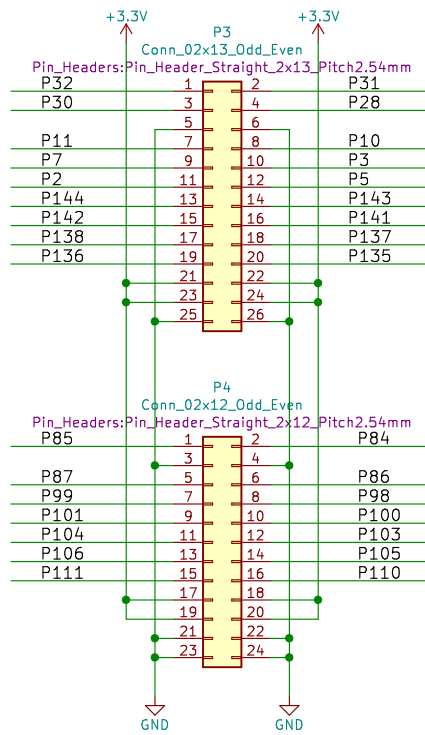
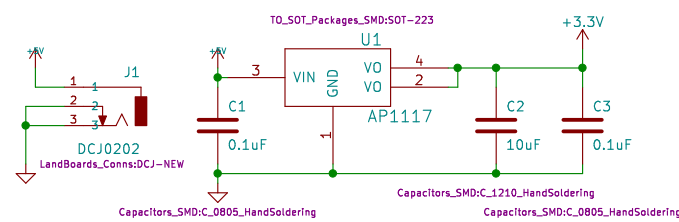


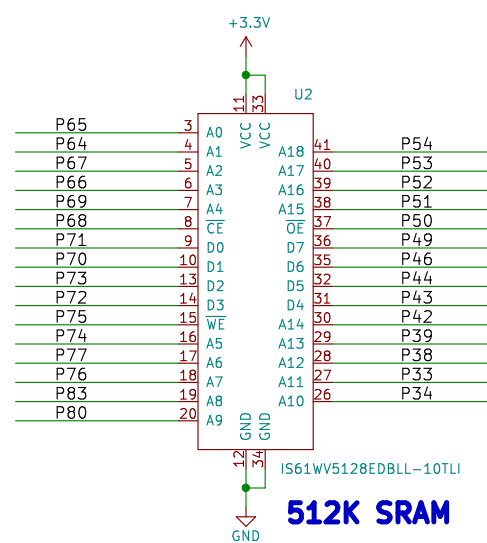
**FPGA CARD**



**SD CARD**

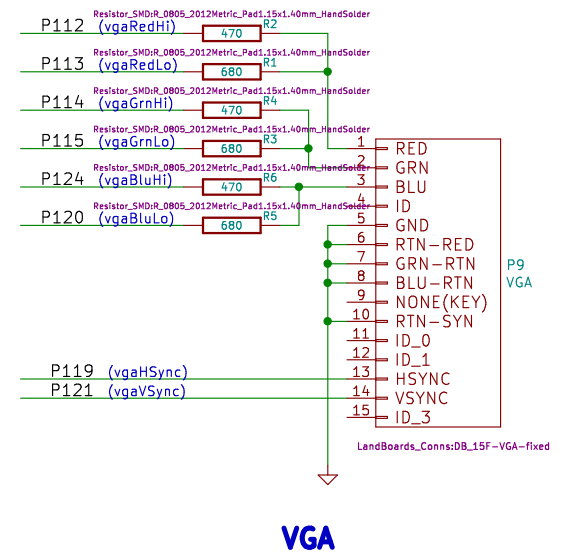


**I/O CONNS**

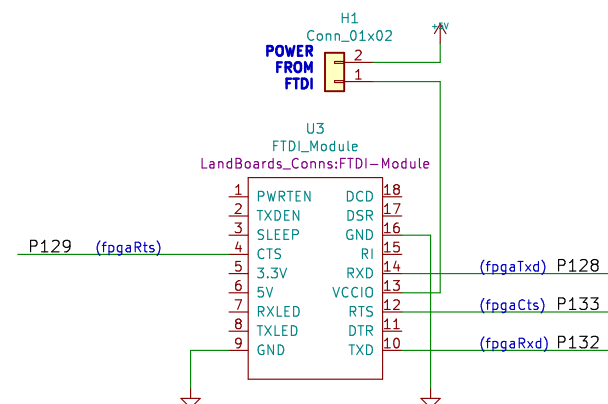


**512K SRAM**

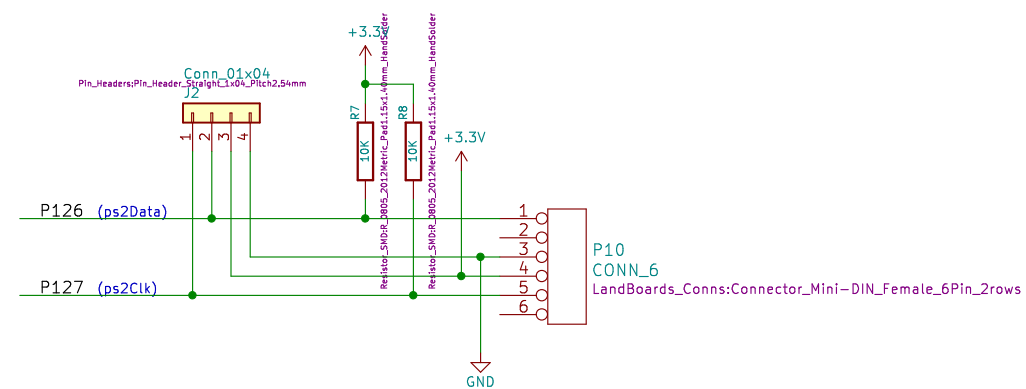
- MTG1 LandBoards\_MountingHoles:MTG-6-32 Mounting\_Holes:MountingHole\_4.3mm\_M4
- MTG2 LandBoards\_MountingHoles:MTG-6-32 Mounting\_Holes:MountingHole\_4.3mm\_M4
- MTG3 LandBoards\_MountingHoles:MTG-6-32 Mounting\_Holes:MountingHole\_4.3mm\_M4
- MTG15 LandBoards\_MountingHoles:MTG-6-32 Mounting\_Holes:MountingHole\_4.3mm\_M4
- MTG13 LandBoards\_MountingHoles:MTG-6-32 Mounting\_Holes:MountingHole\_4.3mm\_M4
- MTG9 LandBoards\_MountingHoles:MTG-6-32 Mounting\_Holes:MountingHole\_4.3mm\_M4
- MTG10 LandBoards\_MountingHoles:MTG-6-32 Mounting\_Holes:MountingHole\_4.3mm\_M4



**VGA**



**FTDI USB SERIAL**



**PS/2 KEYBOARD**

land-boards.com

Sheet: /  
File: RETRO-EP4CE6.sch

**Title: FPGA Carrier**

Size: B Date: 2017-03-12

KiCad E.D.A. kicad (5.0.2)-1

Rev: X1

Id: 1/1