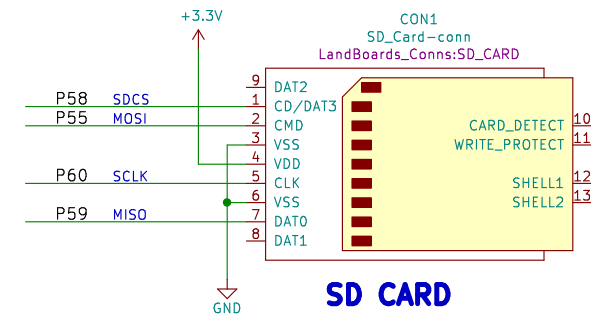
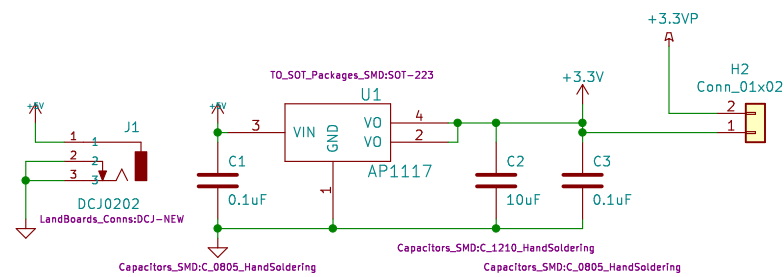


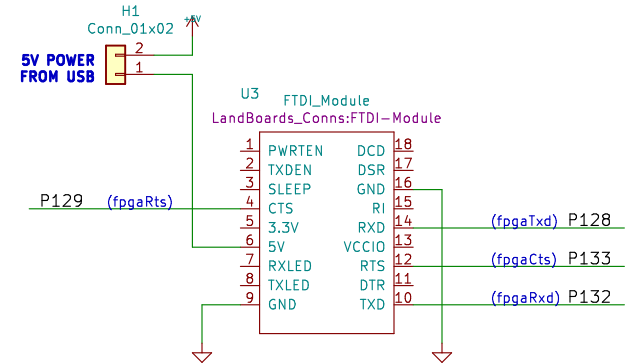
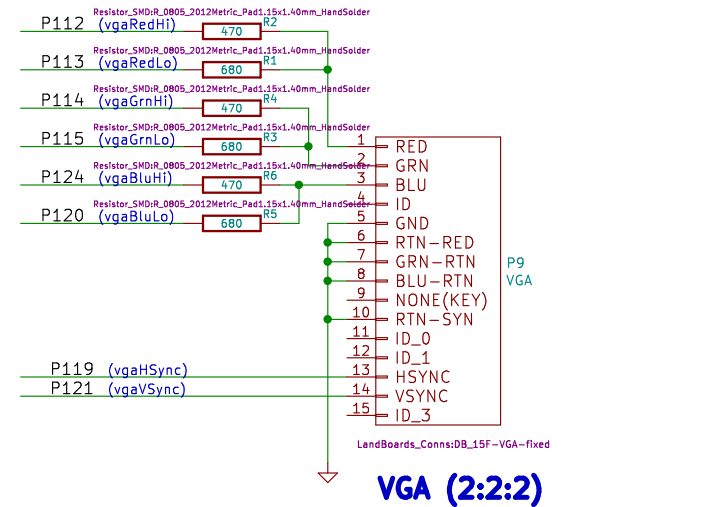
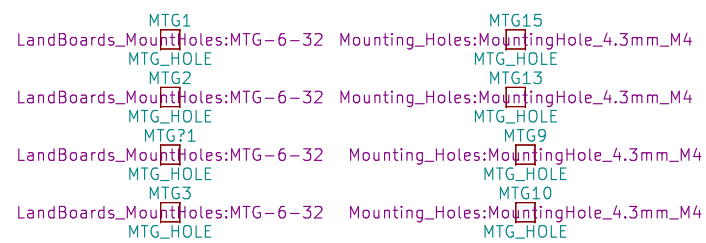
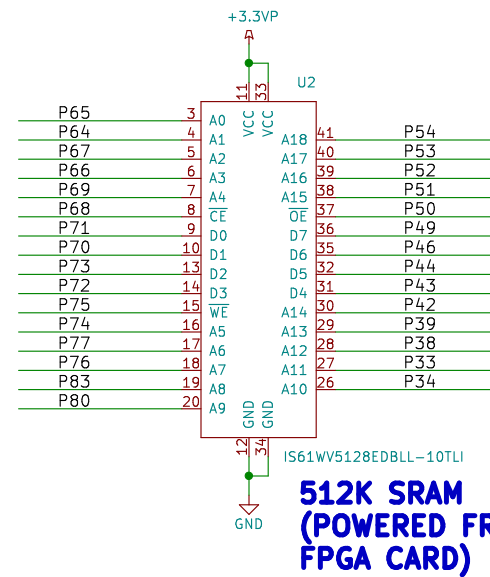
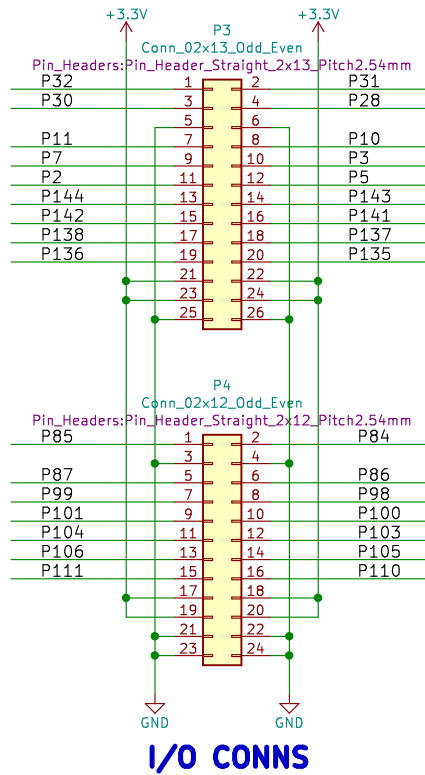
**FPGA CARD
PIN NUMBERS FOR
TOPSIDE OF BOARD**



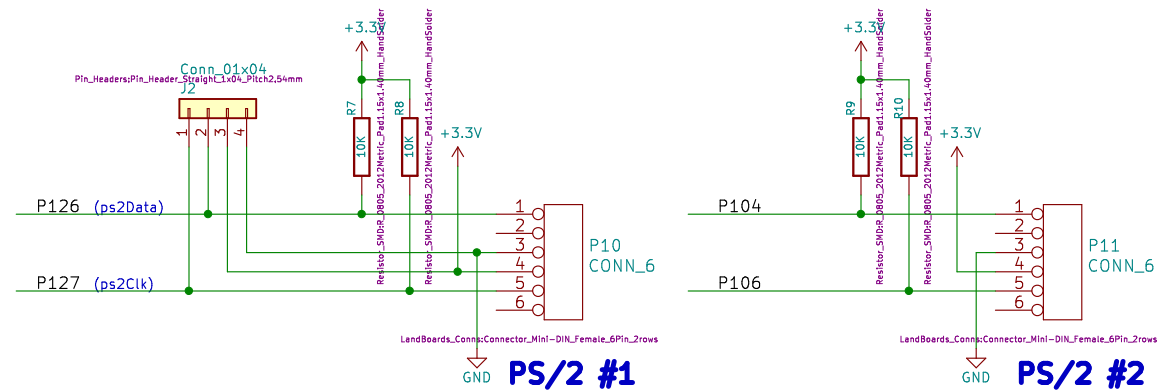
SD CARD



POWER OPTIONS
 - INSTALL H3 TO POWER
 CARD FROM FPGA PWR SPLY
 - IF H2 IS INSTALLED, DO
 NOT INSTALL REGULATOR (U1)



**FTDI USB SERIAL
(SET JUMPER ON
FTDI CARD FOR
3.3V I/O)**



land-boards.com

Sheet: /
File: RETRO-EP4CE6.sch

Title: RETRO-EP4 Card

Size: B Date: 2019-11-22

Rev: X2

KiCad E.D.A. kicad (5.0.2)-1

Id: 1/1